



GLOBE OVERSEAS PVT. LTD.

TM.4524191

globe
100% INDIAN COMPANY
— WORLD LEADER IN LIFTING EQUIPMENT —

MATERIAL HANDLING EQUIPMENT

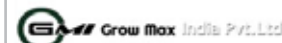
LET'S MAKE LIFTING SMARTER

Our Certificates

Our Facilities



Our Clientele

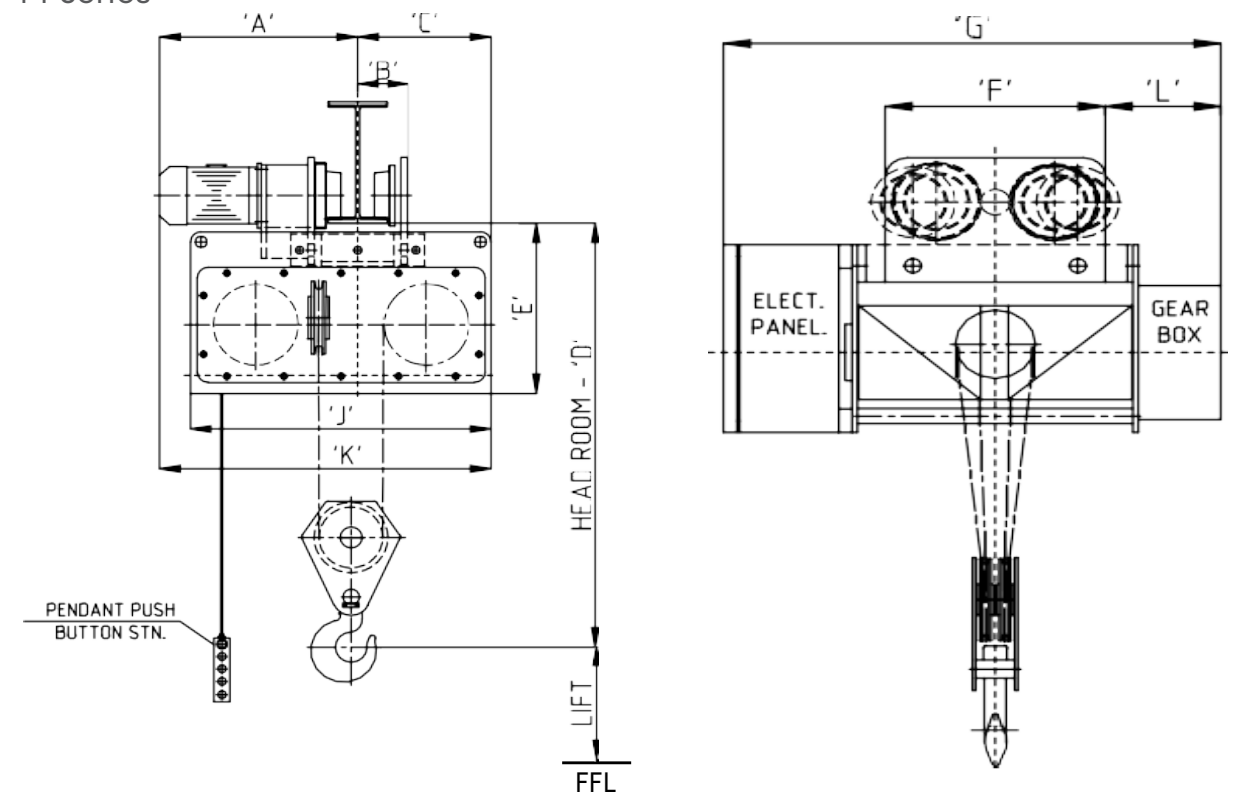


Electric Wire Rope Hoist



Confirming to IS 3938

Model - M Series



TECHNICAL SPECIFICATION

ELECTRIC WIRE ROPE HOIST WITH ELECTRIC TROLLEY

Model		GWRH M0-62	GWRH M1-82	GWRH M1-84	GWRH M2-102	GWRH M2-104	GWRH M2-124	GWRH M3-124	GWRH M3-144	GWRH M4-164	GWRH M4-204
Rated Load	Ton	0.5	1	2	2	3	5	5	7.5	10	15
Lift	Mtr	5	6	6	6	6	6	6	6	6	6
Hoisting speed	mpm	6	6	3	4	3	3	3	3	3	3
Hoisting motor	H.P	1	2	2	3	3	5	5	7.5	10	15
Traversing speed	mpm	15	15	15	15	15	15	15	15	15	15
Traversing Motor	H.P	0.25	0.5	0.5	0.5	0.5	1	1	1	1	1.5
Motor Specifications	40 % CDF, 150 Starts/Hr, 50 Hz, 415V, 3 Phase, AC, Squirrel cage Induction Motor, IE2.										
No. of falls	-	2	2	4	2	4	4	4	4	4	4
Rope Diameter	mm	6	8	8	10	10	12	12	14	16	20
Rope Construction	6 x 36 / 37, Fibre Core (FMC) /1770 N/MM Sq., Ungalvanised, Breaking Strength - 40KN.										
Approx. Weight	kg	160	216	240	400	460	540	800	900	1200	1400
Approx. Dimensions	A	mm	385	425	425	480	480	480	-	-	-
	B	mm	115	125	125	150	150	150	-	-	-
	C	mm	200	290	300	360	360	360	415	415	500
	D	mm	700	750	920	950	1000	1100	1200	1250	1400
	E	mm	300	380	380	460	460	460	585	585	655
	F	mm	300	380	380	400	400	400	580	580	580
	G	mm	720	830	1050	1040	1040	1040	1090	1090	1200
	H	mm	265	260	260	375	375	375	280	280	315
	I	mm	6000	6000	6000	6000	6000	6000	6000	6000	6000
	J	mm	390	530	530	720	720	720	830	830	1000
	K	mm	600	740	750	840	840	840	-	-	-
Recommended ISMB Sizes	mm	150 x 75 to 200 x 100			200 x 100 to 350 x 140		250 x 125 to 450 x 150		300 x 140 to 600 x 210		

Note :- Due to continuous development and improvement specification listed above may be changed without notice.

Salient Features



DESIGN

"Globe" Electric Wire Rope Hoists are designed as per IS 3938 - 1983 (R2012) and are suitable for Medium & Heavy duty applications. We also do customizations in hoists as per Customer Requirements.

CONSTRUCTION

"GLOBE" hoist have a unique modular construction which makes them an ideal choice since each sub assembly is easily accessible individually, thus reducing the time and cost involved in the maintenance.

STRUCTURE

Years of Experience for different applications enabled "Globe" to produce heavy duty / robust structure which ensures long life & safety of the user, material & machinery.

ROPE DRUM

Rope drums are fabricated with seamless tubes having flanges at both ends. Each drum is precisely machined and grooved suitably for specified wire ropes. Ropes guiding arrangements ensures & protect overlapping of wire rope & winds full length of rope in one layer.

GEAR BOX

Totally enclosed, immersed oil bath lubricated Gearbox, fitted with heavy duty precision cut helical Gears and Pinions with alloy Steel material.

HOOK

Conforming to IS: 15560 Free to rotate & swivel.

BRAKE

Instant action 'fail to safe' Electromagnetic DC disc type, ensures maximum safety and reliability in operation.

LIMIT SWITCH

Snap action limits switch to prevent over hoisting and over lowering is provided for maximum safety.

CONTROL

From push button pendent station supported with steel wire rope, operating at 110 volt from ground level.



GLOBE OVERSEAS PVT. LTD.

Registered Office: B-9, DSIIIDC Engineering Complex,
Mangolpuri Industrial Area, Phase -1, New Delhi — 110083

Ph:- 011-46802215 / 9811628456 | Email id:- goplseas@gmail.com | Web:- www.globeoverseas.org

Works - 1: F-76, Sector — 2, DSIIIDC Industrial Area, Bawana, New Delhi — 110041

Works - 2: Kewat No. 646 Khasra No.178, Beri Kultana Road, Sampla, Distt. Rohtak, Haryana — 124501