



GLOBE OVERSEAS PVT. LTD.

TM.4524191

**globe**  
100% INDIAN COMPANY  
— WORLD LEADER IN CRANE RENTALS AND SERVICE —  
— WORLD LEADER IN CRANE RENTALS AND SERVICE —

**MATERIAL HANDLING EQUIPMENT**

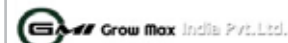
LET'S MAKE LIFTING SMARTER

# Our Certificates

# Our Facilities



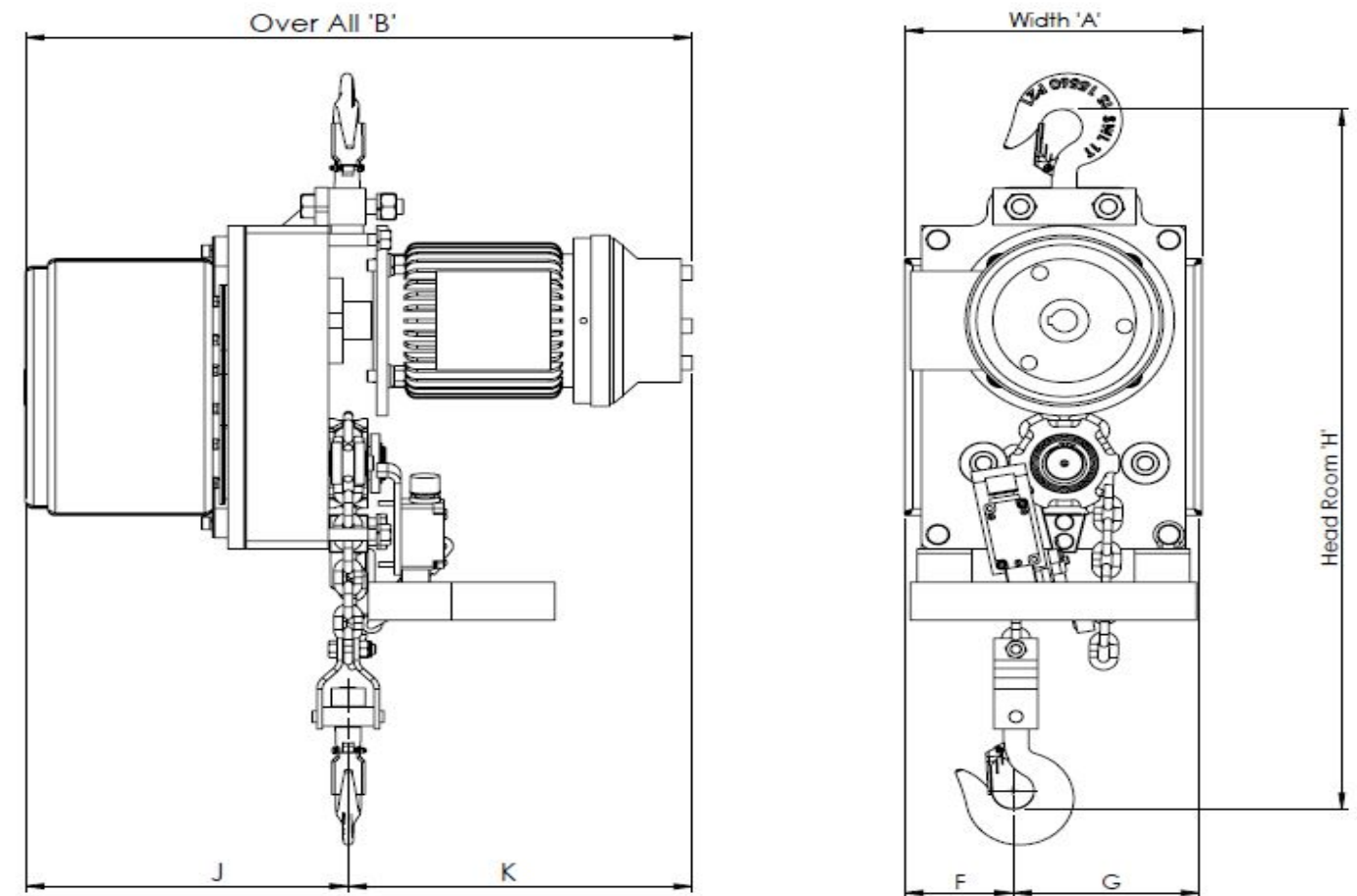
# Our Clientele



# Electric Chain Hoist



Confirming to IS - 6547  
Model 'MC' Series



## TECHNICAL SPECIFICATION

ELECTRIC CHAIN HOIST					
MODEL		GCH MC1-81	GCH MC1-82	GCH MC2-102	GCH MC2-102
CAPACITY	Ton	1T	2T	3T	5T
HEIGHT OF LIFT	Mtr	3	3	3	3
MAIN HOISTING SPEED	mpm	6	3	3	3
MAIN HOISTING MOTOR	H.P	2	2	3	5
LOAD CHAIN / FALL	mm	1 / 8	2 / 8	2 / 10	2 / 10
CROSS TRAVEL SPEED	mpm	15	15	15	15
CROSS TRAVEL MOTOR	H.P	0.5	0.5	0.5	1
Width 'A'	mm	270	270	302	357
Overall 'B'	mm	607	607	681	741
Head Room 'H'	mm	735	800	910	1070
Dimension 'F'	mm	99	68	68	103
Dimension 'G'	mm	170	203	235	256
Dimension 'J'	mm	294	293	316	330
Dimension 'K'	mm	313	313	365	411

Note :- Due to continuous development and improvement specification listed above may be changed without notice.

# Salient Features



## DESIGN

"GLOBE" Electric Chain Hoist are designed as per IS: 6547 and are suitable for Medium & Heavy duty applications.

## CONSTRUCTION

"GLOBE" Hoist have a unique modular construction which makes them an ideal choice since each sub assembly is easily accessible individually, thus reducing the time and cost involved in the maintenance.

## FRAME

The Frame is of sturdy design, fabricated from tested steel plates and is welded/bolted type.

## GEAR BOX

Totally enclosed, gear box with gears made from EN-9/EN- 24, steel and teathed on precision hobbing machines, hardened & tempered. The gears are lubricated with high viscosity grease and need no further lubrication.

## ELECTRIC MOTORS

3 PH. 440 Volt, A. C. 50 cycles, Squirrel cage Induction motors normally of BBL/ABB/CGL make is used.

## LOAD CHAIN

Confirming to IS : 6216-1971, Grade 80, tested, calibrated and duly heat treated.

## BRAKE

Instant action 'Fail to Safe' Electro Magnetic Disc brakes are incorporated to ensure maximum safety and reliability in operation.

## LIMIT SWITCH

Snap Action limits switches are used to prevent over hoisting and over lowering.

## CONTROL PANNEL

Totally enclosed, dust and moisture proof panel housing with components of standard makes like 'SIEMENS/L&T, BCH' telemecanique etc., provided control at low voltage for safety of operator.

## HOOKS

Steel Forge confirming to IS : 15560-2005. Free to rotate & swivel.

## TEST

Each Hoist is tested to 25% Overload with confirmation to IS : 6547-1971.



**GLOBE OVERSEAS PVT. LTD.**

**Registered Office:** B-9, DSIIIDC Engineering Complex,  
Mangolpuri Industrial Area, Phase -1, New Delhi — 110083

Ph:- 011-46802215 / 9811628456 | Email id:- goplseas@gmail.com | Web:- [www.globeoverseas.org](http://www.globeoverseas.org)

**Works - 1:** F-76, Sector — 2, DSIIIDC Industrial Area, Bawana, New Delhi — 110041

**Works - 2:** Kewat No. 646 Khasra No.178, Beri Kultana Road, Sampla, Distt. Rohtak, Haryana — 124501